

- OPERATION
- SERVICE
- PARTS
- CARE

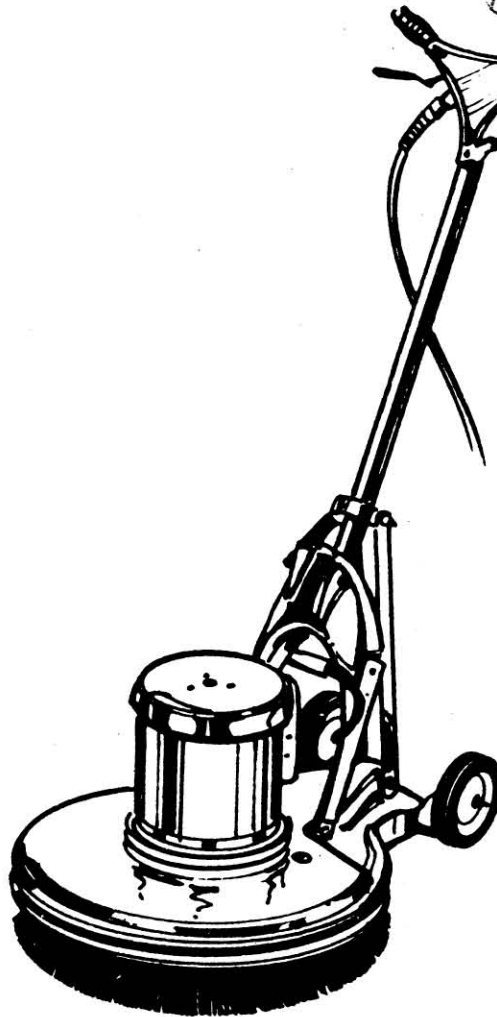
Hako®
Minuteman®

Deluxe Model No's.: ^{D16} M16110-00

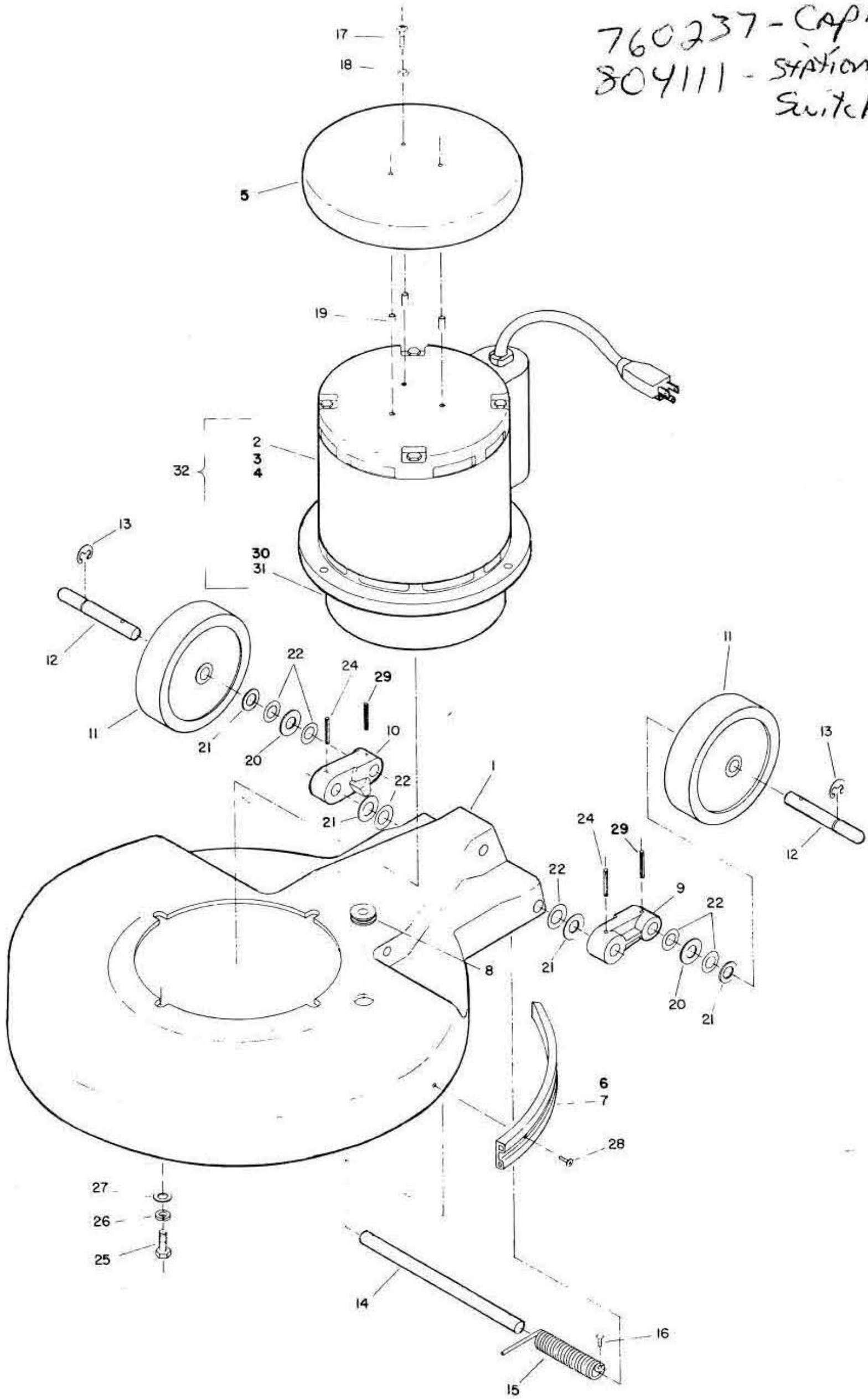
D-16 M16710-00

D-20 - M20610-00

^{SAME AS}
M 20710-00
(EXCEPT MOTOR)

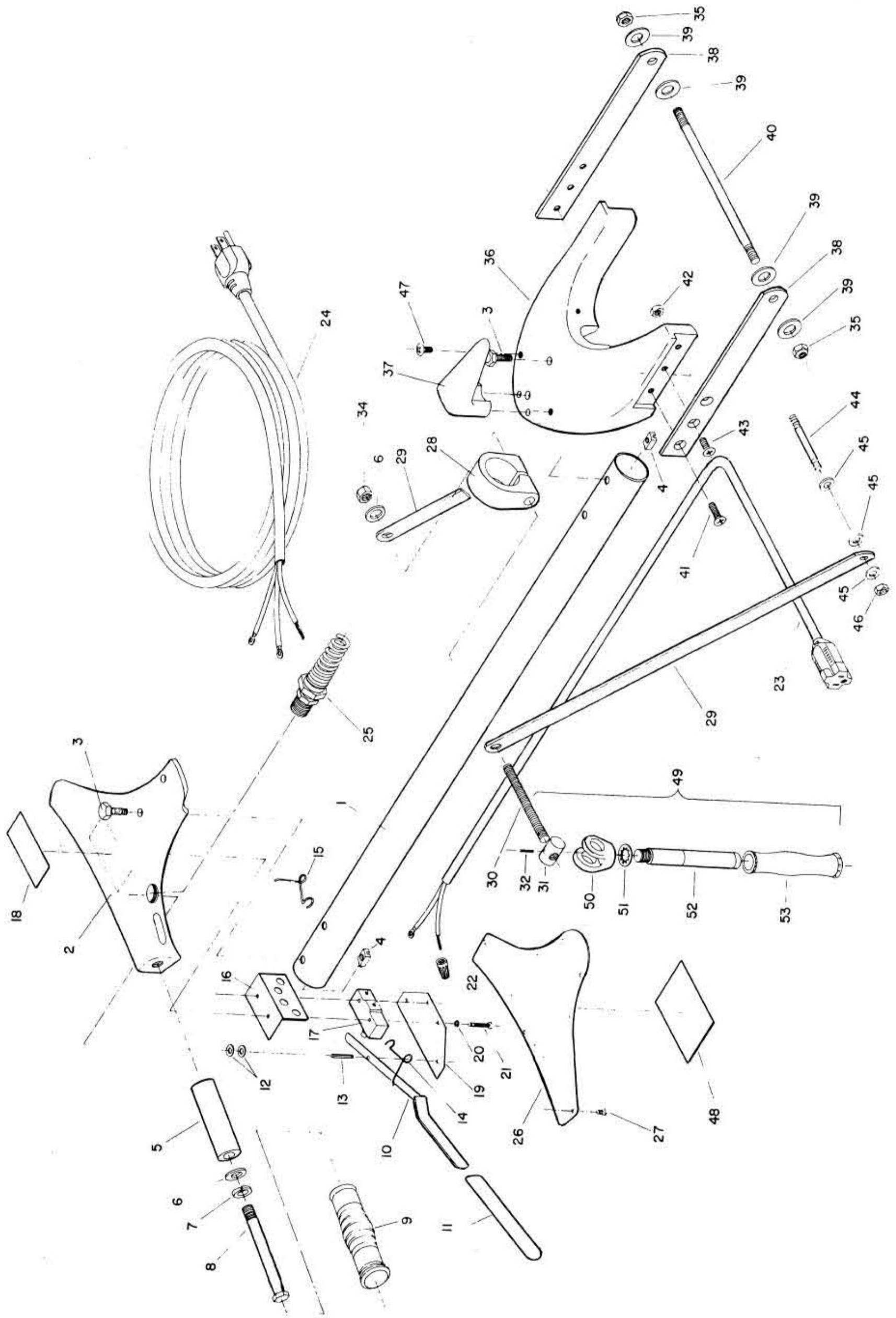


760237 - CAPACITOR
804111 - STATIONARY
Switch



Parts Listings

| ITEM NO. | PART NO. | QUANTITY | DESCRIPTION |
|----------|-----------|----------|---|
| 1 | 160035POL | 1 | Housing Brush 16" Deluxe |
| 1a | 205034POL | 1 | HSG 20" DEL Polished |
| 2 | 171000 | 1 | Motor Only 3/4 HP |
| 3 | 200000 | 1 | Motor Only 1 HP |
| 4 | 200031 | 1 | Motor Only 1-1/2 HP |
| 5 | 160048PLT | 1 | Cover, Drip Crome Plated |
| 6 | 160043 | 1 | Black Bumper 16 |
| 7 | 205043 | 1 | Bumper 20 |
| 8 | 130029 | 1 | Grommet .75 x .31 x .25 |
| 9 | 150012MCH | 1 | Bracket, Wheel Left |
| 10 | 150011MCH | 1 | Bracket, Wheel Right |
| 11 | 760064 | 2 | Wheel 5" 1/2 |
| 12 | 130082PLT | 2 | Axle |
| 13 | 711713 | 2 | Retaining Ring-E EXT .50 |
| 14 | 160058PLT | 1 | Axle |
| 15 | 160038 | 1 | Spring, Torsion .56 x 3.09 |
| 16 | 711154 | 1 | SCR-ST-U 6 x .50 PL |
| 17 | 710356 | 3 | SCR-MC 10/32 x .62 ST PL |
| 18 | 711543 | 3 | WSR, Helical SPR LOC #10 |
| 19 | 255045 | 2 | Spacer .19 x .31 x .47 |
| 20 | 711508 | 2 | WSR-Flat 44 x 1 00 x .08 |
| 21 | 711594 | 4 | WSR, FLT .56 x .88 x .03 NKL |
| 22 | 7115244 | 4 | WSR, Wave No. 26 ST PL |
| 24 | 711634 | 2 | Rollpin .156 x 1.25 |
| 25 | 711230 | 4 | BLT-HH 5/16-18 x 1 ST PL |
| 26 | 711545 | 4 | WSR, Helical SPR LOC 5/16 |
| 27 | 711506 | 4 | WSR, Flat 5/16 ST PL |
| 28 | 711903 | 6 | Rivet, Pop .19 AL |
| 29 | 711633 | 2 | Rollpin .156 x 1.00 |
| 30 | 151000 | 1 | Gear Unit Only 3/4-1 HP |
| 31 | 200030 | 1 | Gear Unit Only 1-1/2 HP |
| 32 | 180035 | 1 | Motor & Gear Unit Asy 3/4 HP |
| 32a | 200002 | 1 | Motor & Gear Unit Asy 1 HP |
| 32b | 200025 | 1 | Motor & Gear Unit Asy 1-1/2 HP |
| **** | 750391 | 1 | Axle Asy Delux FM includes 9, 10, 12, 14, 24, 29 |



Parts Listings

| ITEM NO. | PART NO. | QUANTITY | DESCRIPTION | ITEM NO. | PART NO. | QUANTITY | DESCRIPTION |
|----------|-----------|----------|-----------------------------|----------|-----------|----------|-----------------------------|
| 1 | 160022PLT | 1 | Handle Tube Crome | 28 | 160026POL | 1 | Clamp 1-1/2 |
| 2 | 160002POL | 1 | Housing, Handle | 29 | 160029PLT | 2 | Brace, Handle |
| 3 | 711229 | 4 | BLT-HH 5/16-18 x .87 ST | 30 | 712033 | 1 | Stud 3/8-16 x 4 ST |
| 4 | 711398 | 4 | Nut-SQ Speed Speed 5/16 | 31 | 130073PLT | 1 | Pin, Cam Plated |
| 5 | 160014 | 2 | Core, Handle | 32 | 711614 | 1 | Rollpin .12 x .62 |
| 6 | 711507 | 6 | WSR, Flat 3/8 ST PL | 34 | 711380 | 1 | Nut, Nyloc 3/8-16 |
| 8 | 711245 | 2 | BLT-HH 3/8-16 x 4.50 | 35 | 711375 | 2 | Nut-Nyloc 3/8-16 |
| 9 | 160015 | 2 | Grip, Handle Black | 36 | 160023POL | 1 | Bracket, Lower Handle |
| 10 | 160028 | 2 | Lever, Switch | 37 | 130017POL | 1 | Hook, Cord Polished |
| 12 | 711503 | 2 | WSR, Flat No. 10 | 38 | 160025PLT | 2 | Bracket, Arm |
| 13 | 711635 | 2 | Rollpin .156 x 1.375 | 39 | 711575 | 4 | WSR-Flat .31 x .75 x .06 ST |
| 14 | 160007 | 1 | Spring, Lever Right | 40 | 160033 | 1 | Pin, Hinge .37 x 8.25 |
| 15 | 160008 | 1 | Spring, Lever Left | 41 | 710480 | 2 | SCR-MC 1/4-20 x .87 PL NI |
| 16 | 160021 | 1 | Insulator 2.50 x 2.50 x .03 | 42 | 711316 | 2 | Nut-Hex 1/4-20 ST PL |
| 17 | 160012 | 1 | Switch, Handle | 43 | 710477 | 4 | SCR-MC 1/4-20 x .50 PL NI |
| 18 | | 1 | Decal | 44 | 760261 | 1 | Handle Pin |
| 19 | 160095 | 1 | Plate, Support | 45 | 711506 | 3 | WSR, Flat 5/16 ST PL |
| 20 | 711551 | 2 | WSR, Intrnl Tooth Loc #6 | 46 | 711373 | 1 | Nut-Nyloc 1/4-20 |
| 21 | 710307 | 2 | SCR-MC 6-32 x 1.00 ST PL | 48 | 715062 | 1 | General Warning Decal |
| 22 | 740005 | 2 | Cap, Wire 18-14 73B | 49 | 130074 | 1 | Cam Loc Handle Asy Comp |
| 23 | 762156 | 1 | Cord Set 14-3 | 50 | 130071PLT | 1 | Cam Crome Plated |
| 24 | 150002 | 1 | Black Cord Set, 14-3 5 of T | 51 | 711556 | 1 | WSR Loc 1/2 Internal |
| 25 | 150003 | 1 | Relief, Strain 100 x 50 | 52 | 130072 | 1 | Handle, Cam |
| 26 | 160004 | 1 | Plate, Switch Case Back | 53 | 130088 | 1 | Blk Grip, Handle .62 x 4.7 |
| 27 | 710202 | 5 | SCR-MC 6-32 x .25 ST PL | | | | |

LIMITED WARRANTY

Hako Minuteman, Inc. warrants to the original purchaser/user that this product is free from defects in workmanship and materials under normal use and service for a period of two years from date of purchase. In addition, Hako Minuteman, Inc. will, at its option, honor labor warranty claims for the first 12 months from date of sale, provided such claims are submitted through and approved by factory authorized repair stations. Hako Minuteman, Inc. will, at its option, repair or replace without charge, except for transportation costs, parts that fail under normal use and service when operated and maintained in accordance with the applicable operation and instruction manuals.

This warranty does not apply to normal wear, or to items whose life is dependent on their use and care, such as belts, cords, switches, hoses, rubber parts, electrical motor components or adjustments. Parts not manufactured by Hako Minuteman, Inc. such as engines, batteries, battery chargers, hydraulic pumps, and tires are covered by and subject to the warranties and/or guarantees of their manufacturers. Please contact Hako Minuteman, Inc. for procedures in warranty claims against these manufacturers.

Special warning to purchaser-- Use of replacement filters and/or prefilters not manufactured by Hako Minuteman, Inc. or its designated licensees, will void all warranties expressed or implied.

A potential health hazard exists without exact original equipment replacement.

All warranted items become the sole property of Hako Minuteman, Inc. or its original manufacturer, whichever the case may be.

Hako Minuteman, Inc. disclaims any implied warranty, including the warranty of merchantability and the warranty of fitness for a particular purpose. Hako Minuteman, Inc. assumes no responsibility for any special, incidental or consequential damages.

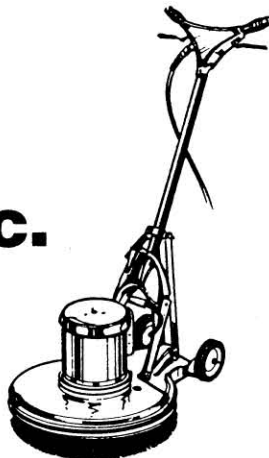
This limited warranty is applicable only in the U.S.A. and Canada, and is extended only to the original user/purchaser of this product. Hako Minuteman, Inc. is not responsible for costs for repairs performed by persons other than those specifically authorized by Hako Minuteman, Inc. This warranty does not apply to damage from transportation, alterations by unauthorized persons, misuse or abuse of the equipment, use of non compatible chemicals, or damage to property, or loss of income due to malfunctions of the product.

If a difficulty develops with this machine, you should contact the dealer from whom it was purchased.

This warranty gives you specific legal rights, and you may have other rights which vary from state to state. Some states do not allow the exclusion or limitation of special, incidental or consequential damages, or limitations on how long an implied warranty lasts, so the above exclusions and limitations may not apply to you.

Hako
Minuteman, Inc.

111 South Rohlwing Road
Addison, Illinois 60101-4244
Phone (708) 627-6900
Telex 910-991-3992
Telefax 708-627-1130



Hako Minuteman Canada, Inc.
84 E Brunswick Blvd.
Dollard des Ormeaux, Quebec H9B 2C5
Telefax: (514) 683-0809
Telephone: (514) 683-3880
PRINTED IN U.S.A.
986502 7/86